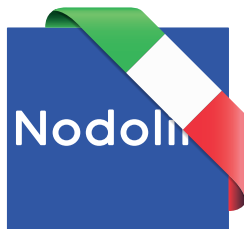


A night-time photograph of an industrial refinery or chemical plant. The scene is filled with tall distillation columns, complex piping, and various tanks, all illuminated by numerous bright lights that create a starburst effect against the dark sky. The overall atmosphere is industrial and brightly lit.

# Nodolini

AUSTRALIA

**SPRINKLERS  
FOR  
CORROSIVE WATERS**



Made in Italy since 1960

## *A perfect solution for irrigation in critical environments.*

NODOLINI SPRINKLERS è orgogliosa di presentare la gamma di irrigatori C.W.

Questi irrigatori sono stati progettati per ACQUE CORROSIVE e per AMBIENTI CORROSIVI : sono normalmente utilizzati con acqua di mare per l'abbattimento delle polveri nei porti, con acque reflue per l'abbattimento delle polveri nei depositi e nel settore minerario.

Le parti meccaniche sono interne e protette contro ogni possibile aggressione chimica.

Le parti in alluminio sono trattate con ossidazione anodica, rivestimento plastico e cataforesi.

Tutte le viti, dadi, rondelle e perni sono in acciaio inox AISI 304/316.

Gli sprinkler possono essere utilizzati con ALTE PRESSIONI (1500 kPa - 15 atm).

Il sistema di avanzamento a turbina garantisce l'assenza di vibrazioni , e il tubo di lancio conico conferisce prestazioni elevate.

L'irrigatore può funzionare con un angolo minimo di soli 4°.

A richiesta sono disponibili ugelli in acciaio inox.

*NODOLINI SPRINKLERS is proud to introduce the new range of C.W. sprinklers.*

*These sprinklers are specifically engineered for CORROSIVE WATERS AND ENVIRONMENTS: they are normally employed with seawater for dust abatement in harbors and with wastewater for dust abatement in warehouses and in the mining industry.*

*Mechanical parts are located internally and protected against any possible chemical aggression.*

*Aluminum parts are finished with anodic oxidation, plastic coating, and cathoresis.*

*All screws, nuts, washers and pins are made of AISI 304/316 stainless steel.*

*The sprinklers can be used even at HIGH PRESSURES (1500 kPa - 15 atm).*

*The turbine system guarantees vibration-free performances, and the conical throw pipe provides high performance.*

*The sprinkler is able to operate with a minimum angle of just 4°.*

*Stainless steel nozzles are available upon request.*

PRECISION IRRIGATION SPRINKLERS

CORROSIVE WATERS



PRECISION IRRIGATION SPRINKLERS  
CORROSIVE WATERS



PRECISION IRRIGATION SPRINKLERS

CORROSIVE WATERS

# S60 - 25° C.W.

DN65 PN10 EN1092-1 Flange Connection

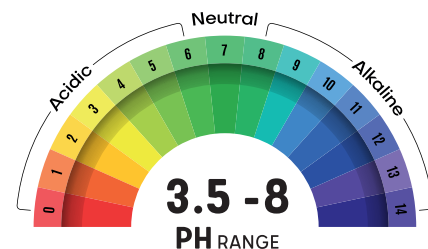
Table E Size 2"1/2 Flange

Female thread connection 2" BSP

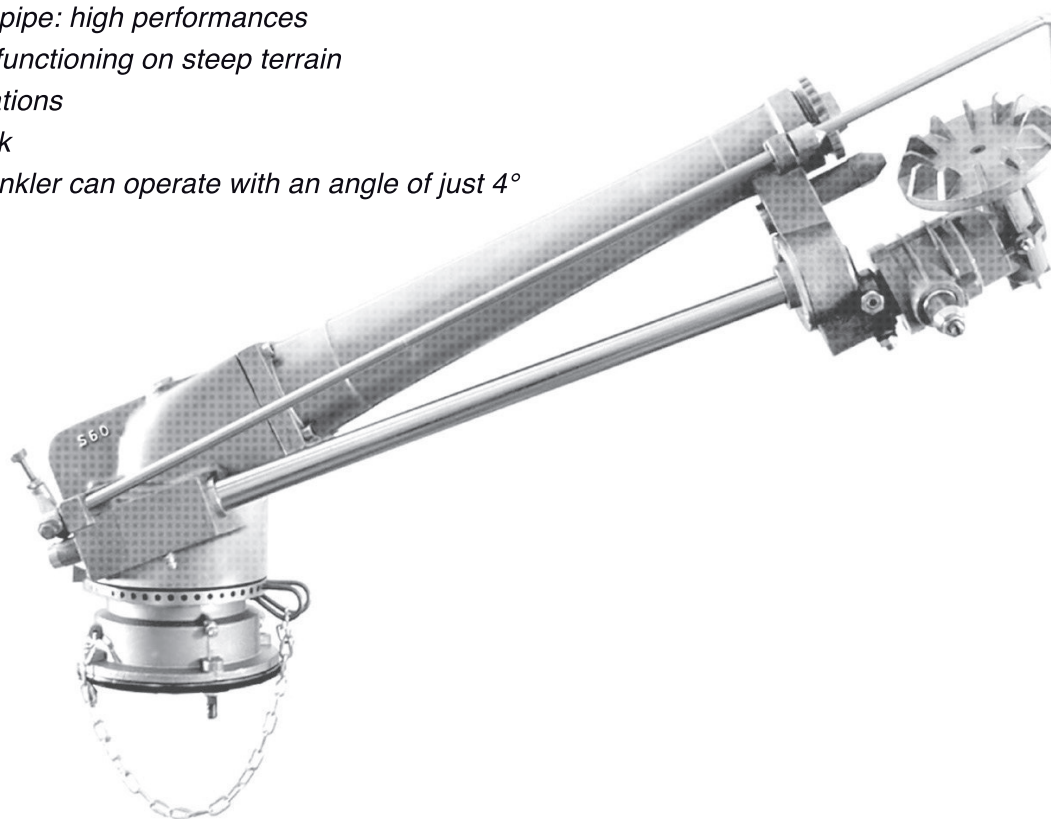
Female thread connection 2"1/2 BSP

Female thread connection 2" NPT

Female thread connection 2"1/2 NPT



- Turbine Sprinkler
- Concial pipe: high performances
- Perfect functioning on steep terrain
- No vibrations
- No break
- The sprinkler can operate with an angle of just 4°



Nozzle Ø mm	Pressure atm.	Discharge l/sec	Lenght of jet m
20	4,0 - 4,5 - 5,0	8,43 - 8,95 - 9,43	41 - 43 - 45
22	4,0 - 4,5 - 5,0	10,2 - 10,81 - 11,4	43 - 45 - 47
24	4,0 - 4,5 - 5,0	12,15 - 12,9 - 13,6	45 - 47 - 49
26	4,5 - 5,0 - 5,5	15,13 - 15,95 - 16,73	47 - 49 - 51
28	4,5 - 5,0 - 5,5	17,55 - 18,5 - 19,4	50 - 52 - 54
30	5,0 - 5,5 - 6,0	21,21 - 22,25 - 23,23	53 - 55 - 57

The technical characteristics are indicative and not binding

**PRECISION IRRIGATION SPRINKLERS**

**CORROSIVE WATERS**

**S65 - 43° C.W.**

*DN65 PN10 EN1092-1 Flange Connection*

*Table E Size 2"1/2 Flange*

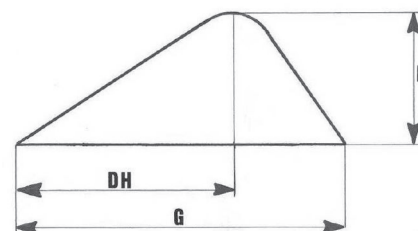
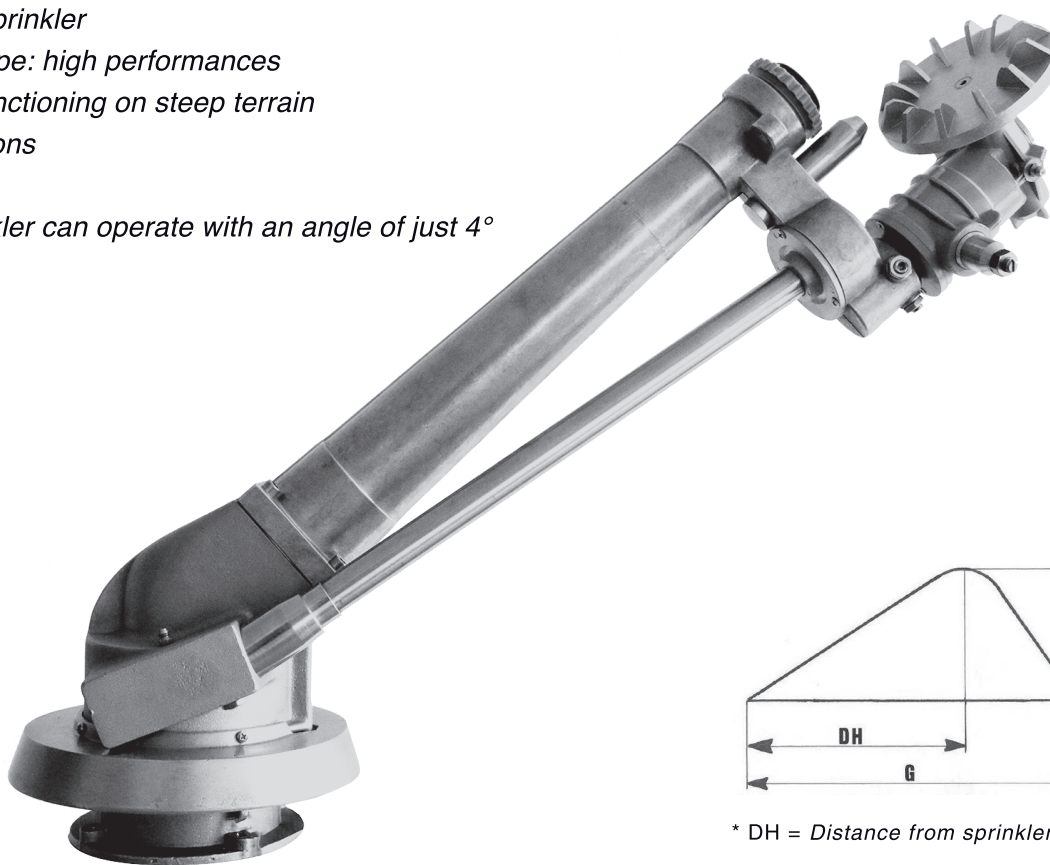
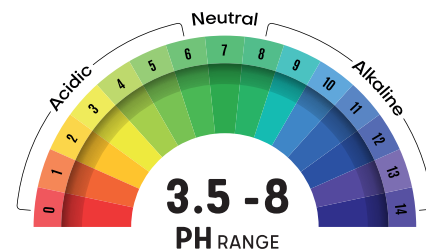
*Female thread connection 2" BSP*

*Female thread connection 2"1/2 BSP*

*Female thread connection 2" NPT*

*Female thread connection 2"1/2 NPT*

- Turbine Sprinkler
- Concial pipe: high performances
- Perfect functioning on steep terrain
- No vibrations
- No break
- The sprinkler can operate with an angle of just 4°



\* DH = Distance from sprinkler to apogee

Nozzle ø mm	Pressure Atm.	Discharge l/sec	Lenght of jet G m	Apogee H m	Distance DH* m
20	3,0 - 4,0 - 5,0	7,33 - 8,43 - 9,43	37 - 41 - 44	11 - 14 - 17	22 - 26 - 29
22	3,0 - 4,0 - 5,0	8,83 - 10,2 - 11,4	38 - 42 - 45	12 - 15 - 18	23 - 27 - 30
24	4,0 - 5,0 - 6,0	12,15 - 13,6 - 14,9	44 - 48 - 51	16.5 - 18 - 20	28 - 32 - 36
26	4,0 - 5,0 - 6,0	14,28 - 15,95 - 17,5	46 - 50 - 52	16.5 - 18.5 - 20.5	30 - 33 - 36
28	4,0 - 5,0 - 6,0	16,56 - 18,5 - 20,33	48 - 51 - 54	17 - 19 - 21.5	31 - 34 - 37
30	5,0 - 6,0 - 7,0	21,21 - 23,23 - 25,21	55 - 62 - 64	21 - 23 - 25	39 - 43 - 45

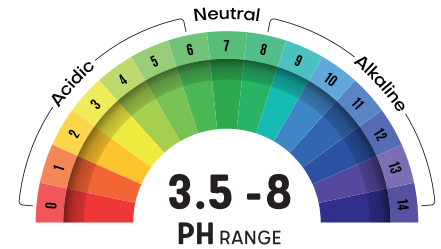
*The technical characteristics are indicative and not binding*

**PRECISION IRRIGATION SPRINKLERS**

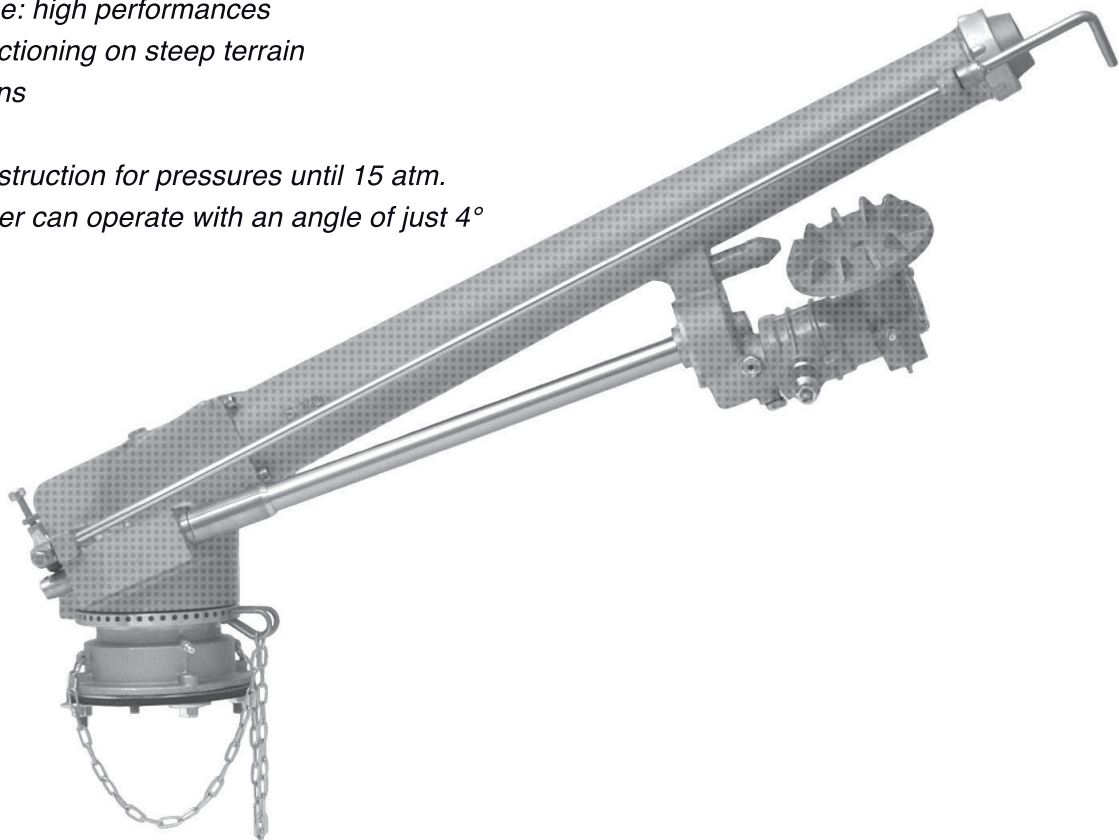
**CORROSIVE WATERS**

**S70 - 25° C.W.**

*DN65 PN10 EN1092-1 Flange Connection  
Table E Size 2"1/2 Flange  
Female thread connection 2"1/2 BSP*



- Turbine Sprinkler
- Concial pipe: high performances
- Perfect functioning on steep terrain
- No vibrations
- No break
- Strong construction for pressures until 15 atm.
- The sprinkler can operate with an angle of just 4°



Long range turbine irrigator designed to obtain maximum output with medium power systems.

Nozzle Ø mm	Pressure atm.	Discharge l/sec	Lenght of jet m
24	4,0 - 5,0 - 6,0	12,15 - 13,58 - 14,88	45 - 52 - 55
26	4,0 - 5,0 - 6,0	14,26 - 15,95 - 17,46	47 - 53 - 57
28	4,0 - 5,0 - 6,0	16,53 - 18,48 - 20,25	49 - 54 - 59
30	5,0 - 6,0 - 7,0	21,2 - 23,21 - 28,56	55 - 61 - 63
32	5,0 - 6,0 - 7,0	24,15 - 26,45 - 28,56	57 - 63 - 66
34	6,0 - 7,0 - 8,0	28,96 - 32,25 - 34,48	64 - 67 - 69
36	6,0 - 7,0 - 8,0	33,48 - 36,16 - 38,66	65 - 69 - 71
38	7,0 - 8,0 - 9,0	40,3 - 43,08 - 45,7	71 - 73 - 75

The technical characteristics are indicative and not binding

PRECISION IRRIGATION SPRINKLERS

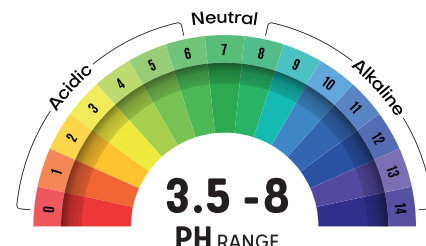
EVAPORATION

# S70 - 25° C.W. EVAPORATION

DN65 PN10 EN1092-1 Flange Connection

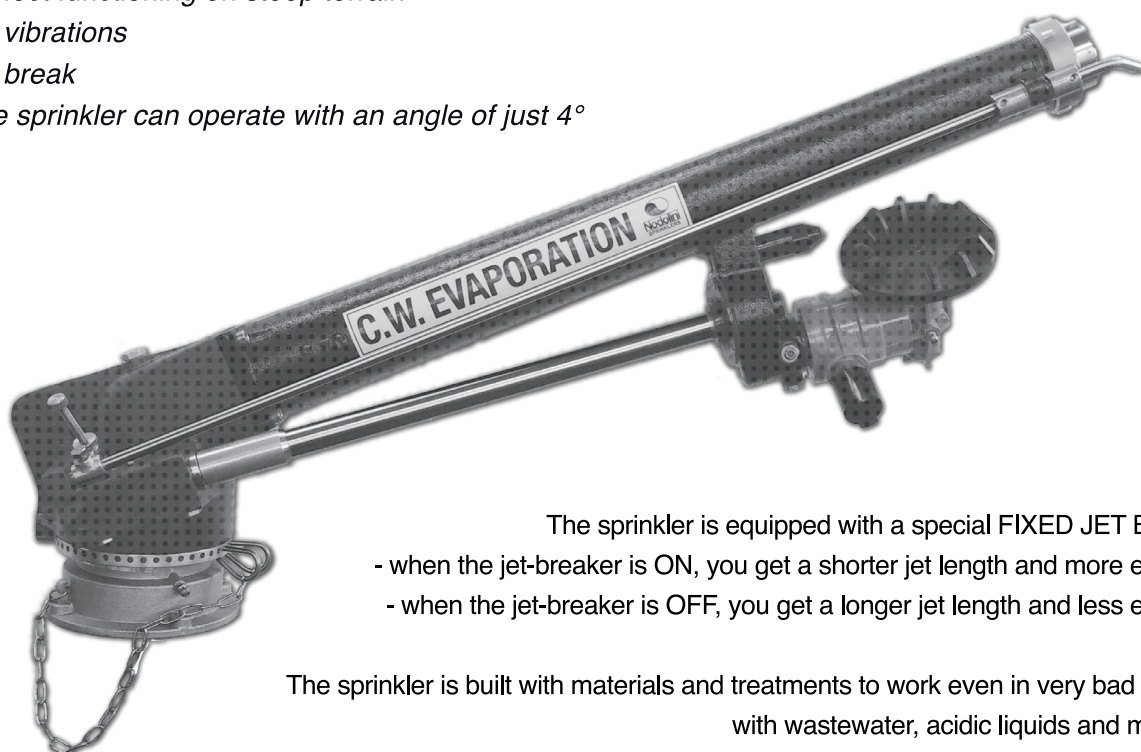
Table E Size 2"1/2 Flange

Female thread connection 2"1/2 BSP



- Turbine Sprinkler
- Concial pipe: high performances
- Perfect functioning on steep terrain
- No vibrations
- No break
- The sprinkler can operate with an angle of just 4°

This model with nozzle from 22 to 38 mm and max. work pressure up to 20 atm (294 psi) can be used for DUST SUPPRESSION and EVAPORATION in mines with wastewater.



The sprinkler is equipped with a special FIXED JET BREAKER:  
 - when the jet-breaker is ON, you get a shorter jet length and more evaporation  
 - when the jet-breaker is OFF, you get a longer jet length and less evaporation

The sprinkler is built with materials and treatments to work even in very bad conditions, with wastewater, acidic liquids and mine waste.

Nozzle Ø mm	Pressure atm.	Discharge l/sec	Lenght of jet m
24	4,0 - 5,0 - 6,0	12,15 - 13,58 - 14,88	45 - 52 - 55
26	4,0 - 5,0 - 6,0	14,26 - 15,95 - 17,46	47 - 53 - 57
28	4,0 - 5,0 - 6,0	16,53 - 18,48 - 20,25	49 - 54 - 59
30	5,0 - 6,0 - 7,0	21,2 - 23,21 - 28,56	55 - 61 - 63
32	5,0 - 6,0 - 7,0	24,15 - 26,45 - 28,56	57 - 63 - 66
34	6,0 - 7,0 - 8,0	28,96 - 32,25 - 34,48	64 - 67 - 69
36	6,0 - 7,0 - 8,0	33,48 - 36,16 - 38,66	65 - 69 - 71
38	7,0 - 8,0 - 9,0	40,3 - 43,08 - 45,7	71 - 73 - 75

The technical characteristics are indicative and not binding

PRECISION IRRIGATION SPRINKLERS

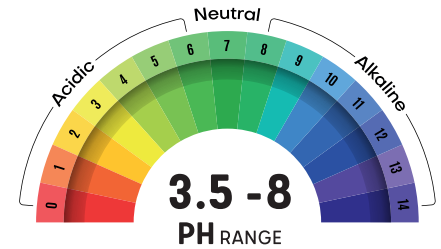
EVAPORATION

# S70 - 25° C.W. DYNAMIC

DN65 PN10 EN1092-1 Flange Connection

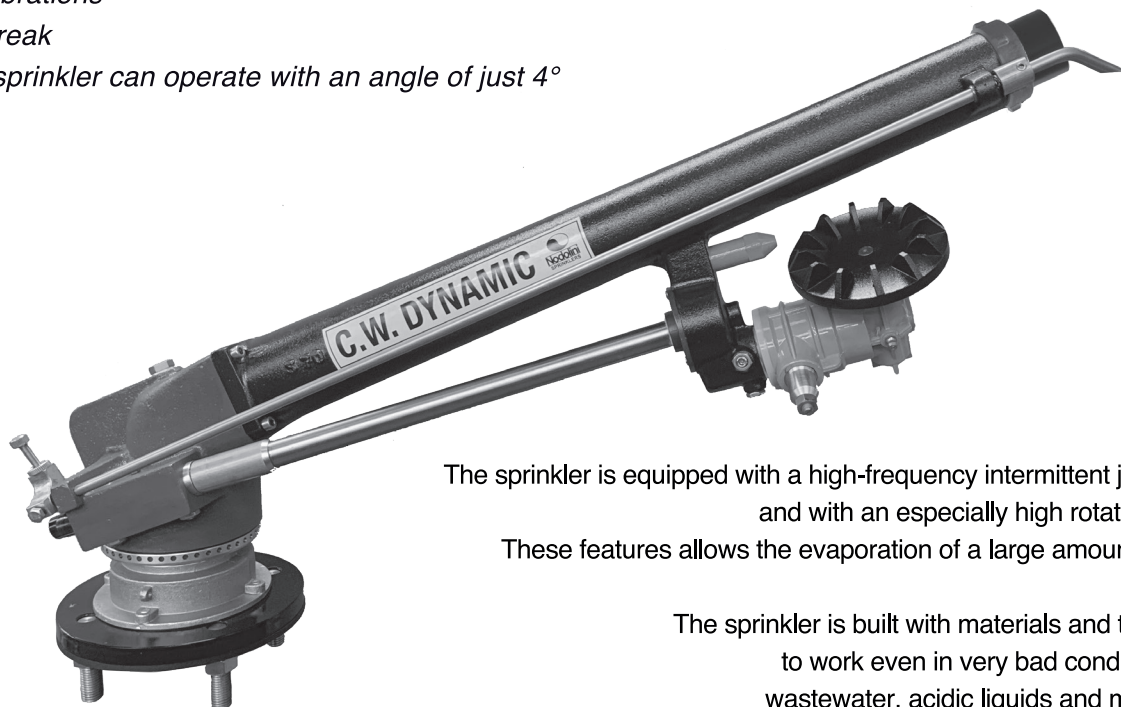
Table E Size 2"1/2 Flange

Female thread connection 2"1/2 BSP



- Turbine Sprinkler
- Concial pipe: high performances
- Perfect functioning on steep terrain
- No vibrations
- No break
- The sprinkler can operate with an angle of just 4°

This model with nozzle from 22 to 38 mm and max. work pressure up to 20 atm (294 psi) can be used for DUST SUPPRESSION and EVAPORATION in mines with wastewater.



The sprinkler is equipped with a high-frequency intermittent jet-breaker and with an especially high rotation speed. These features allows the evaporation of a large amount of liquid.

The sprinkler is built with materials and treatments to work even in very bad conditions, with wastewater, acidic liquids and mine waste

Nozzle Ø mm	Pressure atm.	Discharge l/sec	Lenght of jet m
24	4,0 - 5,0 - 6,0	12,15 - 13,58 - 14,88	45 - 52 - 55
26	4,0 - 5,0 - 6,0	14,26 - 15,95 - 17,46	47 - 53 - 57
28	4,0 - 5,0 - 6,0	16,53 - 18,48 - 20,25	49 - 54 - 59
30	5,0 - 6,0 - 7,0	21,2 - 23,21 - 28,56	55 - 61 - 63
32	5,0 - 6,0 - 7,0	24,15 - 26,45 - 28,56	57 - 63 - 66
34	6,0 - 7,0 - 8,0	28,96 - 32,25 - 34,48	64 - 67 - 69
36	6,0 - 7,0 - 8,0	33,48 - 36,16 - 38,66	65 - 69 - 71
38	7,0 - 8,0 - 9,0	40,3 - 43,08 - 45,7	71 - 73 - 75

The technical characteristics are indicative and not binding

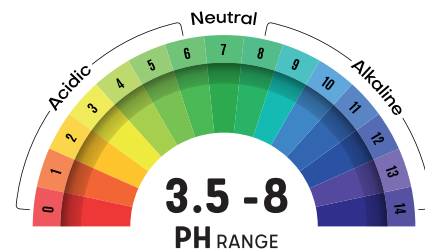
**PRECISION IRRIGATION SPRINKLERS**

**CORROSIVE WATERS**

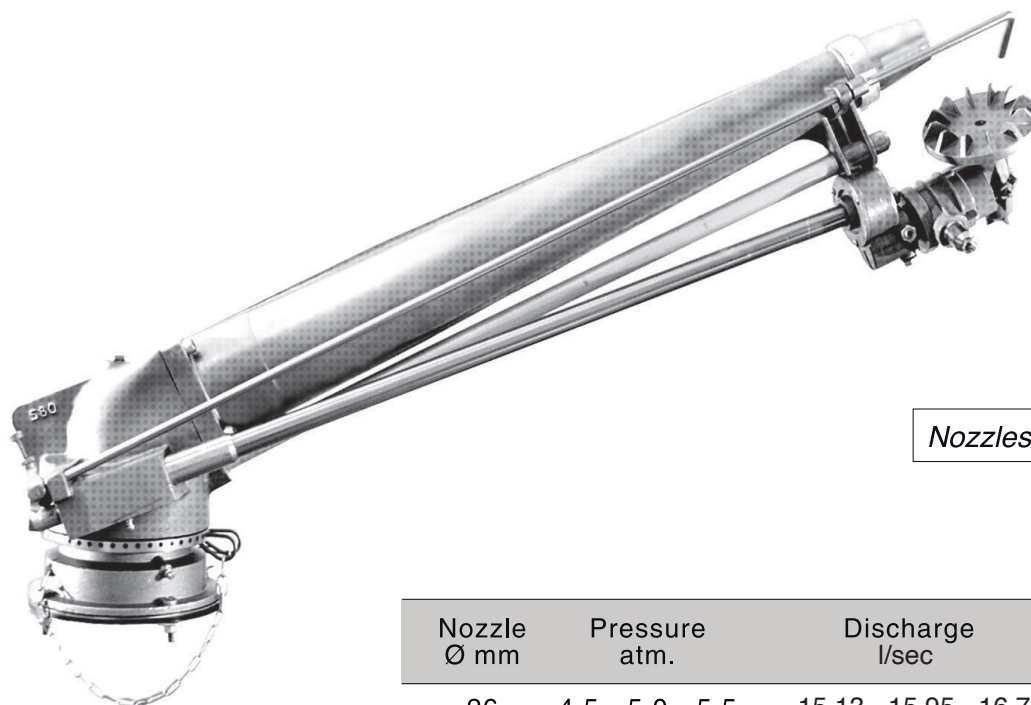
**S75 C.W.**

*Thread Connection 3" BSPF  
Thread Connection 4" BSPF  
Euroflange 4"*

- Turbine Sprinkler
- Conical pipe: high performances
- Perfect functioning on steep terrain
- No vibrations
- No break
- Strong construction for pressures until 15 atm.
- The sprinkler can operate with an angle of just 4°



The most versatile dust suppression sprinkler, for use with 3" threaded connection the sprinkler must be used with ring nozzles from 20 to 32 millimeters in diameter. For use with flanged connections or 4" thread the sprinkler must be used with conical nozzles from 20 to 44 millimeters in diameter.



*Nozzles available ø 20 - 44 mm.*

Nozzle Ø mm	Pressure atm.	Discharge l/sec	Lenght of jet m
26	4,5 - 5,0 - 5,5	15,13 - 15,95 - 16,73	49 - 52 - 53
28	4,5 - 5,0 - 5,5	17,55 - 18,5 - 19,4	51 - 54 - 56
30	5,0 - 5,5 - 6,0	21,21 - 22,25 - 23,23	55 - 57 - 60
32	5,5 - 6,0 - 6,5	25,33 - 26,45 - 27,53	59 - 62 - 65
34	6,0 - 6,5 - 7,0	29,86 - 31,08 - 32,25	63 - 66 - 68
36	6,0 - 7,0 - 8,0	33,47 - 36,15 - 38,65	65 - 70 - 75
38	7,0 - 8,0 - 9,0	40,3 - 43,08 - 45,7	73 - 76 - 79

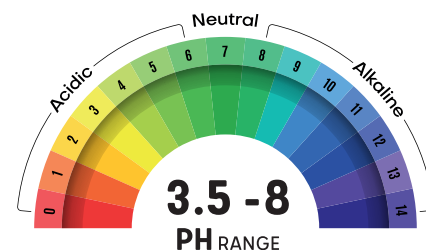
The technical characteristics are indicative and not binding

**PRECISION IRRIGATION SPRINKLERS**

**CORROSIVE WATERS**

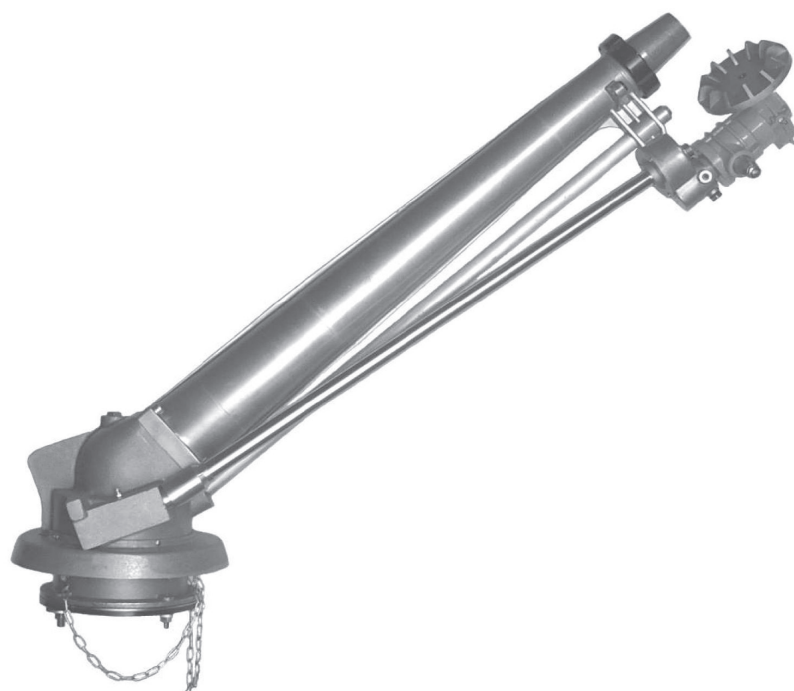
**S75 - 43° C.W.**

Thread Connection 3" BSPF  
Thread Connection 4" BSPF  
Euroflange 4"

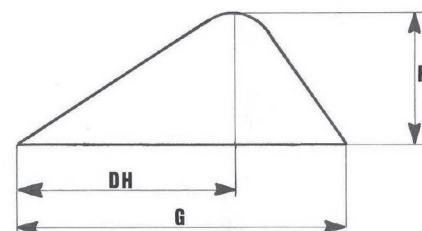


- Turbine Sprinkler
- Concial pipe: high performances
- Perfect functioning on steep terrain
- No vibrations
- No break
- Strong construction for pressures until 15 atm.
- The sprinkler can operate with an angle of just 4°

The most versatile dust suppression sprinkler, for use with 3" threaded connection the sprinkler must be used with ring nozzles from 20 to 32 millimeters in diameter. For use with flanged connections or 4" thread the sprinkler must be used with conical nozzles from 20 to 44 millimeters in diameter.



Nozzles available ø 20 - 44 mm.



\* DH = Distance from sprinkler to apogee

Nozzle ø mm	Pressure Atm.	Discharge l/sec	Lenght of jet G m	Apogee H m	Distance DH* m
26	4,0 - 5,0 - 6,0	14,33 - 15,95 - 17,66	47 - 52 - 54	17 - 19,5 - 21	31 - 36 - 38
28	4,0 - 5,0 - 6,0	16,61 - 18,5 - 20,41	49 - 55 - 58	18 - 22 - 25	32 - 39 - 41
30	5,0 - 6,0 - 7,0	21,21 - 23,23 - 25,33	56 - 59 - 61	21 - 24 - 26	39 - 41 - 43
32	5,0 - 6,0 - 7,0	24,58 - 26,45 - 28,91	61 - 63 - 67	22 - 25 - 27	40 - 42 - 44
34	5,0 - 6,0 - 7,0	27,41 - 29,86 - 32,25	62 - 64 - 69	23 - 25,5 - 28	41 - 43 - 46
36	6,0 - 7,0 - 8,0	33,46 - 36,15 - 38,6	68 - 71 - 74	25 - 29,5 - 33	46 - 48 - 51
38	7,0 - 8,0 - 9,0	40,3 - 43,08 - 45,7	73 - 77 - 80	31 - 34 - 36	51 - 54 - 56

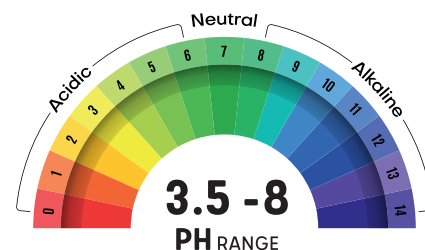
The technical characteristics are indicative and not binding

**PRECISION IRRIGATION SPRINKLERS**

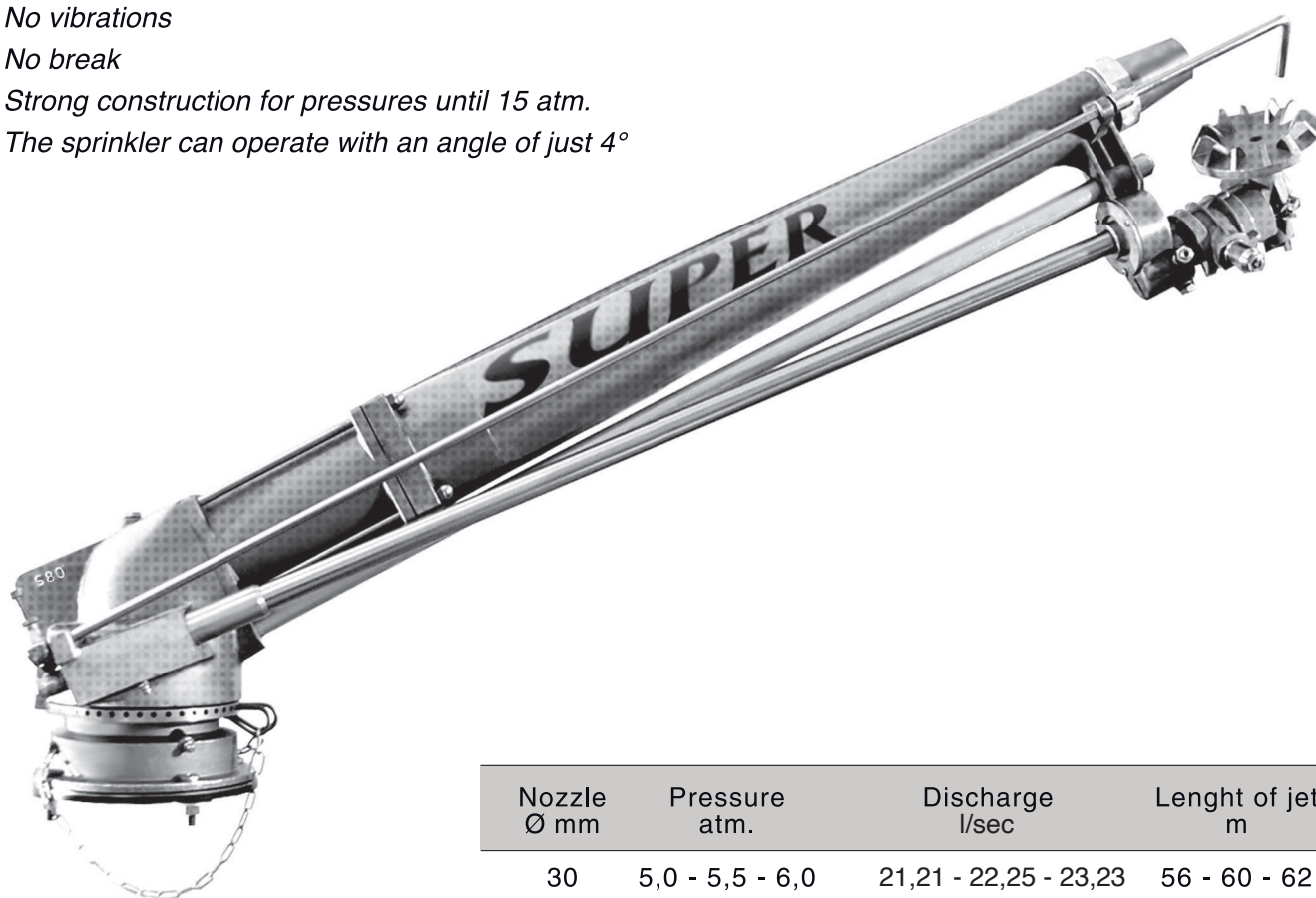
**CORROSIVE WATERS**

**S80 SUPER C.W.**

*Nodolini Flange Connection  
DN100 PN16 EN1092-1 Flange Connection  
Euroflange 4"  
Female thread connection 4" BSP*



- Turbine Sprinkler
- Concial pipe: high performances
- Perfect functioning on steep terrain
- No vibrations
- No break
- Strong construction for pressures until 15 atm.
- The sprinkler can operate with an angle of just 4°



Nozzle Ø mm	Pressure atm.	Discharge l/sec	Lenght of jet m
30	5,0 - 5,5 - 6,0	21,21 - 22,25 - 23,23	56 - 60 - 62
32	6,0 - 6,5 - 7,0	26,45 - 27,53 - 28,56	61 - 65 - 68
34	6,0 - 6,5 - 7,0	29,86 - 31,08 - 32,25	63 - 66 - 70
36	7,0 - 8,0 - 9,0	36,15 - 38,65 - 41	71 - 74 - 80
38	7,0 - 8,0 - 9,0	40,3 - 43,08 - 45,7	73 - 78 - 83
40	8,0 - 9,0 - 10,0	47,73 - 50,63 - 53,38	81 - 86 - 90
42	8,0 - 9,0 - 10,0	52 - 55,16 - 58,16	83 - 89 - 93
44	9,0 - 10,0 - 11,0	60,5 - 63,83 - 67,5	92 - 95 - 99

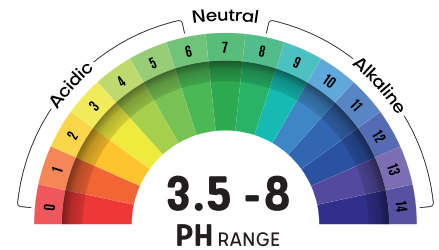
The technical characteristics are indicative and not binding

**PRECISION IRRIGATION SPRINKLERS**

**CORROSIVE WATERS**

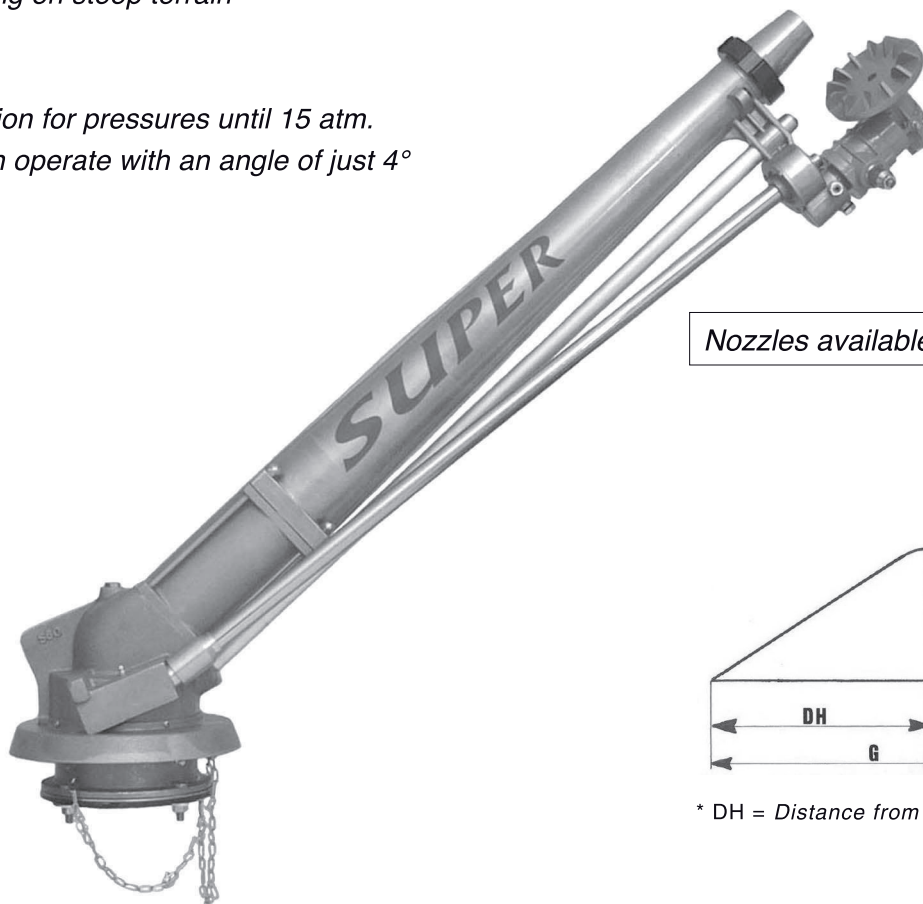
**S85 - 43° C.W.**

*Nodolini Flange Connection  
DN100 PN16 EN1092-1 Flange Connection  
Euroflange 4"  
Female thread connection 4" BSP*

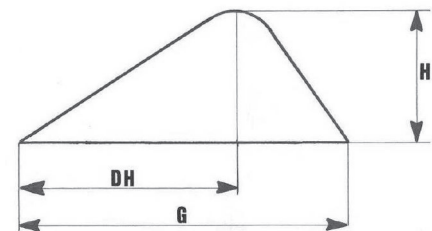


**THE BIG SPRINKLER  
FOR DUST SUPPRESSION**

- Turbine Sprinkler
- Conical pipe: high performances
- Perfect functioning on steep terrain
- No vibrations
- No break
- Strong construction for pressures until 15 atm.
- The sprinkler can operate with an angle of just 4°



Nozzles available ø 26 - 46 mm.



\* DH = Distance from sprinkler to apogee

Nozzle ø mm	Pressure Atm.	Discharge l/sec	Length of jet G m	Apogee H m	Distance DH* m
26	4,0 - 5,0 - 6,0	14,33 - 15,95 - 17,66	47 - 52 - 54	17 - 19,5 - 21	31 - 36 - 38
28	4,0 - 5,0 - 6,0	16,61 - 18,5 - 20,41	49 - 55 - 58	18 - 22 - 25	32 - 39 - 41
30	5,0 - 6,0 - 7,0	21,21 - 23,23 - 25,33	56 - 59 - 61	21 - 24 - 26	39 - 41 - 43
32	5,0 - 6,0 - 7,0	24,58 - 26,45 - 28,91	61 - 63 - 67	22 - 25 - 27	40 - 42 - 44
34	5,0 - 6,0 - 7,0	27,41 - 29,86 - 32,25	62 - 64 - 69	23 - 25,5 - 28	41 - 43 - 46
36	6,0 - 7,0 - 8,0	33,46 - 36,15 - 38,6	68 - 71 - 74	25 - 29,5 - 33	46 - 48 - 51
38	7,0 - 8,0 - 9,0	40,3 - 43,08 - 45,7	73 - 77 - 80	31 - 34 - 36	51 - 54 - 56

The technical characteristics are indicative and not binding

The logo consists of a dark blue rounded square containing the text 'Nodolini' in a large, white, sans-serif font, with 'AUSTRALIA' in a smaller, white, all-caps, sans-serif font directly below it.

**Nodolini**  
AUSTRALIA

---

**NODOLINI AUSTRALIA**

43 Zgrajewski Road, Yandina Creek, Queensland, Australia, 4561

Phone : 0474 444 287 - [info@nodoliniaustralia.com](mailto:info@nodoliniaustralia.com)

[www.nodoliniaustralia.com](http://www.nodoliniaustralia.com)